



Assembly Instructions

Asher 6 Seat Rectangular Dining Table

(Product Codes: 69001018)

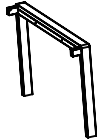



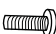


PLEASE RETAIN THIS DOCUMENT ALONG WITH YOUR
PROOF OF PURCHASE FOR FUTURE

Congratulations on your recent purchase of your beautiful Hartman furniture. We hope it brings you bountiful special moments with friends and family for many years to come. Please follow these simple steps to build your furniture. We also have a very useful video available online to assist with the assembly, please visit www.hartmanuk.com.

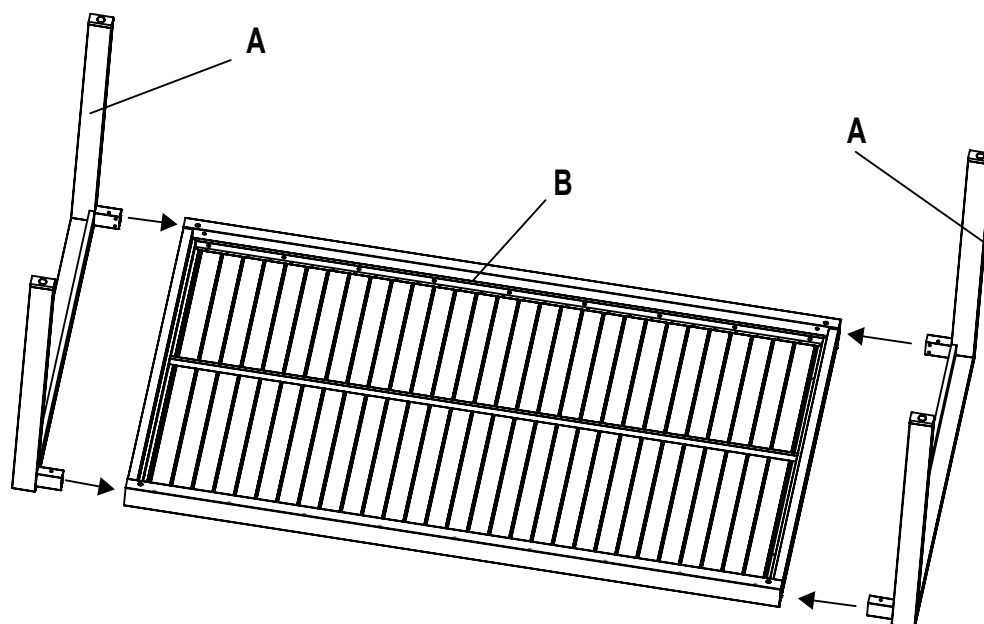
TOP TIPS

- Please read these instructions carefully before assembly, for further assistance please view our assembly video online for an easy step by step demonstration
- Aluminum is a soft metal and over tightening may strip the thread or break the part, please loosely assembly your furniture before tightening to secure.
- Please **do not** use power tools, please use the allen key provided in the bolt pack
- Please allow 5 minutes for assembly
- This furniture can be assembled with **2** persons; however, you may need someone to assist you when turning the furniture over into position.

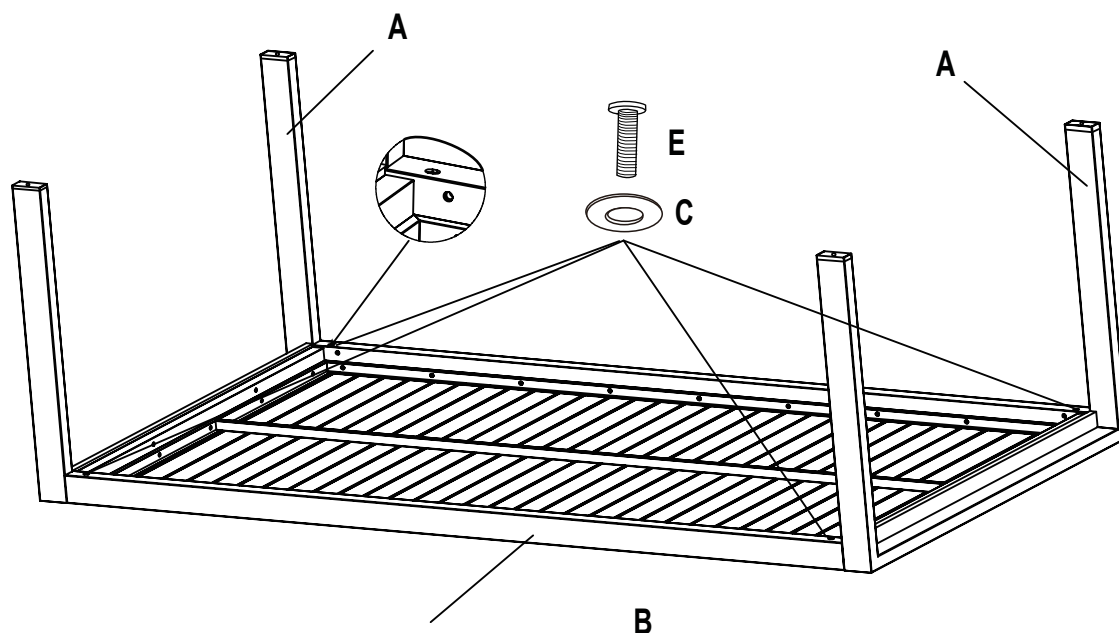
PARTS LIST

Components					Fixings				
Parts List	Parts Picture	Description	Qty	Part no	Parts List	Parts Picture	Description	Qty	Part no
A		Leg	2	69001018A	C		Washer (M6)	12	1061162
B		Table top	1	69001018B	D		Bolt (M6X40)	4	1121162
					E		Bolt (M6X15)	8	1011162
					F		Allen (M6)	1	1010162
					G		Plastic bolt cap (M6)	12	1061163

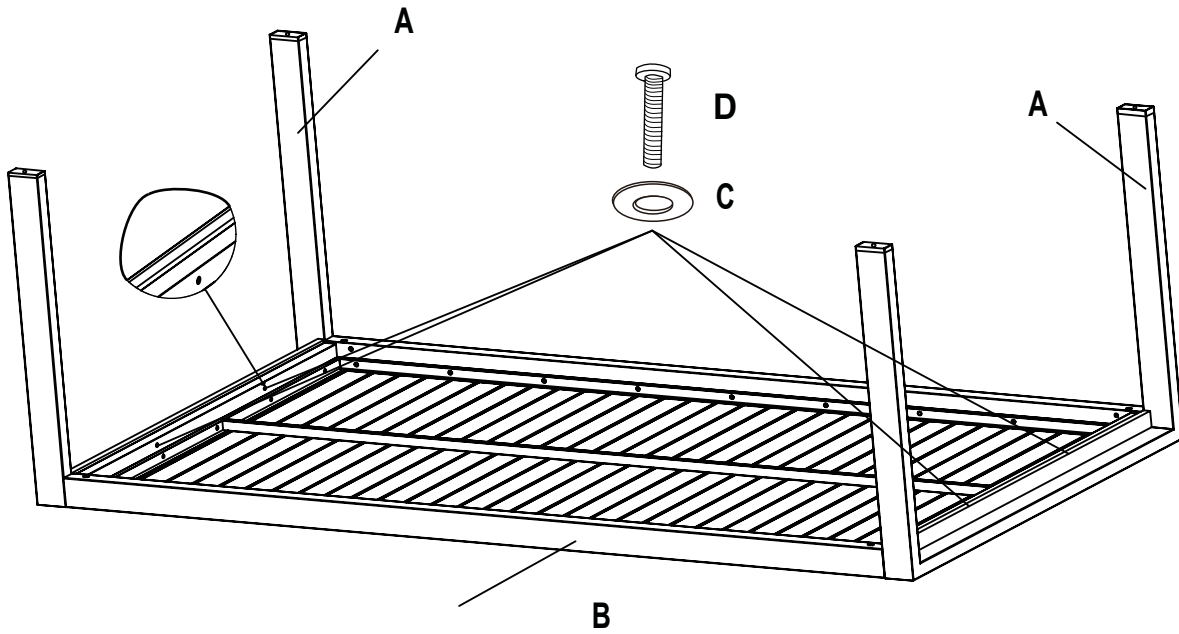
STEP 1 to 3: LEG ASSEMBLY



STEP 1: Insert Leg (A) to the Table top (B)

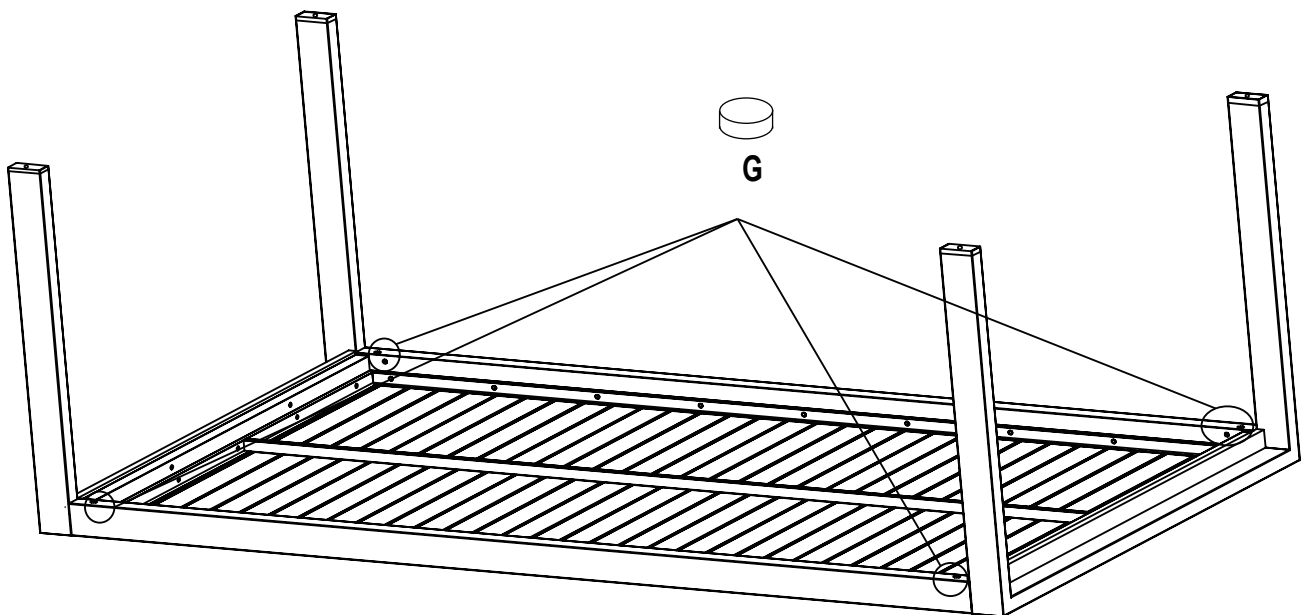


STEP 2: At the long side of Table top, using the M6x15 bolt (E) and Washer (C)

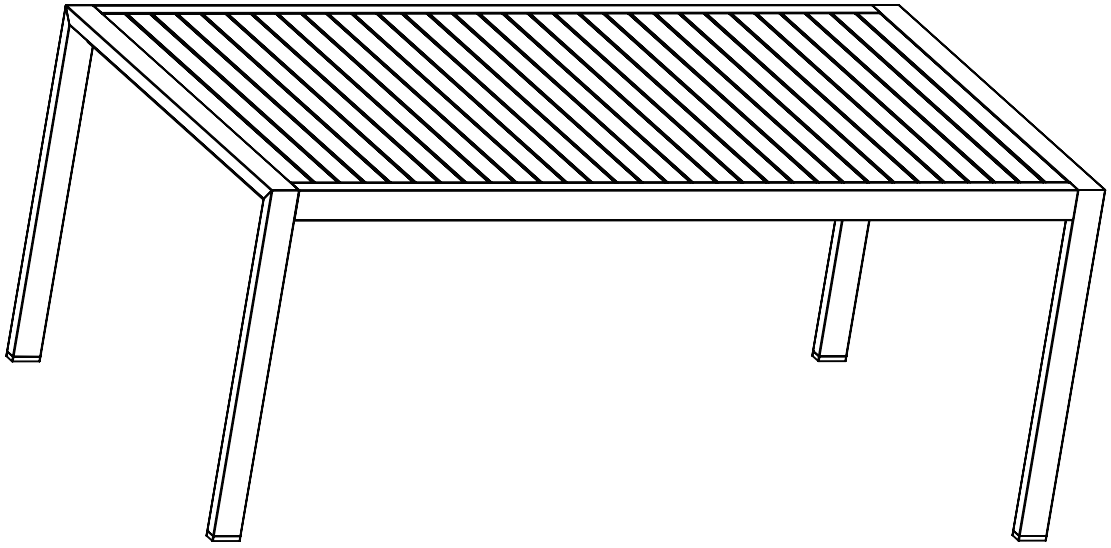


STEP 3: At the short side of Table top, using the M6x40 bolt (D) and Washer (C)

STEP 4: TIGHTENING AND FINISHING



STEP 4: Tighten all the Bolts on the dining table and cover with the Plastic bolt cap (G) ,
Turn the table over





Assembly Instructions

Asher Dining Chair

(Product Codes: 69002018)

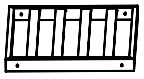

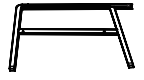

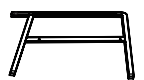

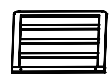


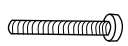
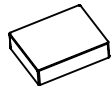
PLEASE RETAIN THIS DOCUMENT ALONG WITH YOUR
PROOF OF PURCHASE FOR FUTURE

Congratulations on your recent purchase of your beautiful Hartman furniture. We hope it brings you bountiful special moments with friends and family for many years to come. Please follow these simple steps to build your furniture. We also have a very useful video available online to assist with the assembly, please visit www.hartmanuk.com.

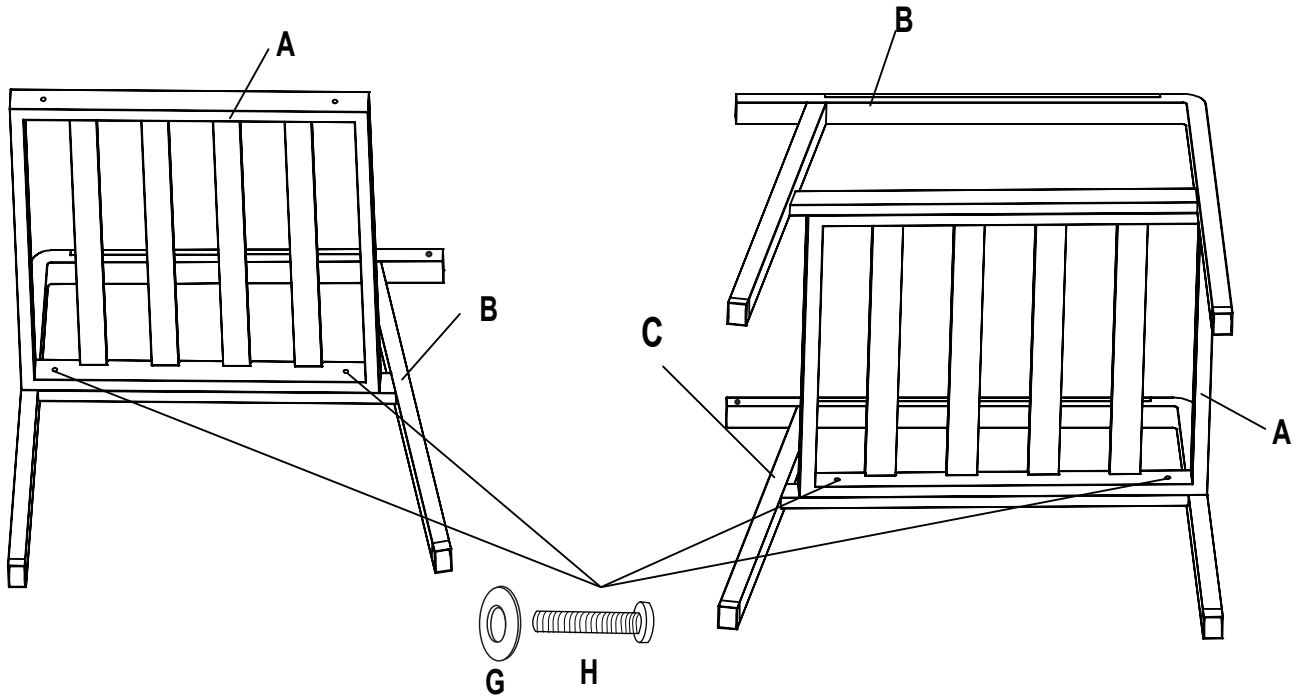
TOP TIPS

- Please read these instructions carefully before assembly, for further assistance please view our assembly video online for an easy step by step demonstration
- Aluminum is a soft metal and over tightening may strip the thread or break the part, please loosely assembly your furniture before tightening to secure.
- Please **do not** use power tools, please use the allen key provided in the bolt pack
- Please allow 5 minutes for assembly
- This furniture can be assembled with **1** person; however, you may need someone to assist you when turning the furniture over into position.

PARTS LIST

Components					Fixings				
Parts List	Parts Picture	Description	Qty	Part no	Parts List	Parts Picture	Description	Qty	Part no
A		Seat Frame	1	69002018A	G		Washer (M6)	8	1061162
B		Armrest1	1	69002018B	H		Bolt (M6X35)	6	1111162
C		Armrest2	1	69002018C	I		Plastic bolt cap (M6)	8	1061163
D		Back Rest	1	69002018D	J		Allen (M6)	1	1010162
E		Back cushion	1	5AHDBC001MG	K		Bolt (M6X55)	2	1641162
F		Seat cushion	1	5AHDSC001MG					

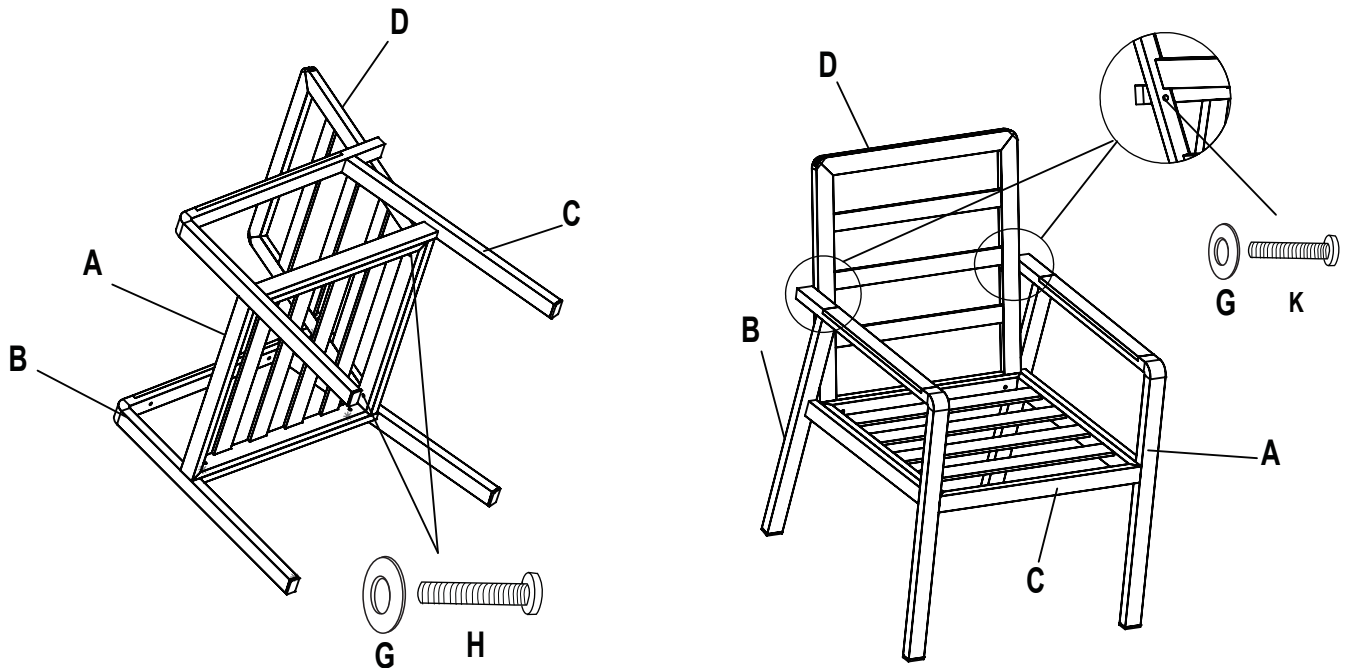
STEP 1 & 2: ARMREST ASSEMBLY



STEP 1: Attach Armrest 1 (B) to the Seat frame (A) using the M6x35 Bolt (H) and Washer (G)

STEP 2: Repeat step 1 with Armrest 2 (C)

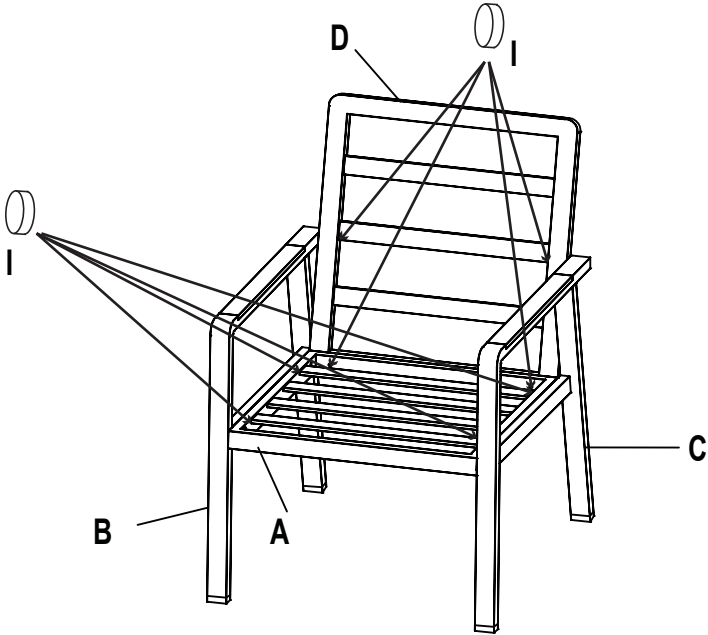
STEP 3 & 4: BACKREST ASSEMBLY



STEP 3: Attach Back board (D) to the Seat board (A) using the M6x35 Bolt (b) and Washer (a)

STEP 4: Attach Back rest (D) to the Armrest 1 (B) & Armrest 2 (C) using the M6x55 Bolt (K) and Washer (G)

STEP 5: TIGHTENING AND FINISHING



STEP 5: Tighten all the bolts on the chair and cover with the Plastic bolt cap (I). Turn the chair over and place the Seat cushion (F) and the Back cushion (E) onto the chair